

# BRANDED MANUFACTURING

B R A N D E D M F G . C O M

## MEASURING FORM - ROMAN END

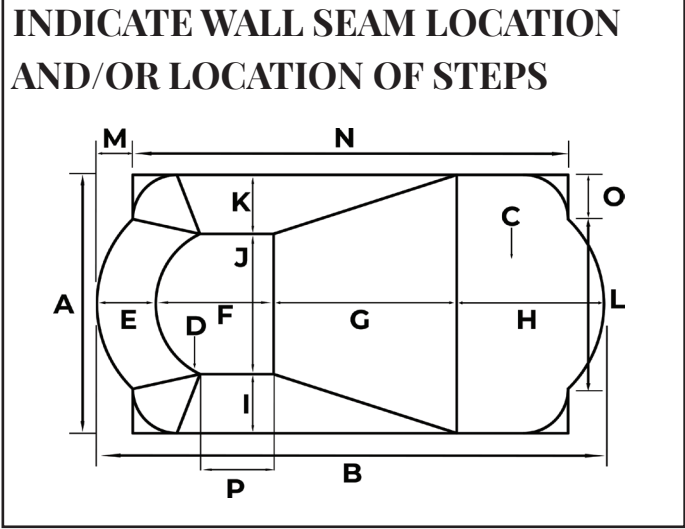
COMPANY/NAME: \_\_\_\_\_  
 ADDRESS: \_\_\_\_\_  
 CITY: \_\_\_\_\_ STATE: \_\_\_\_\_ ZIP: \_\_\_\_\_  
 PHONE (Cell): \_\_\_\_\_ PHONE (Work): \_\_\_\_\_  
 FAX: \_\_\_\_\_ EMAIL: \_\_\_\_\_

LINER DESCRIPTION: \_\_\_\_\_  
 PATTERN: \_\_\_\_\_ MIL: \_\_\_\_\_ BEAD TYPE: \_\_\_\_\_

**DIMENSIONS (see page 2-3)**  
 ROMAN END: SINGLE or DOUBLE (circle one)  
 A (Width): \_\_\_\_\_  
 B (Length): \_\_\_\_\_  
 Diagonal #1: \_\_\_\_\_  
 Diagonal #2: \_\_\_\_\_  
 C (Wall Height): \_\_\_\_\_  
 D (Depth): \_\_\_\_\_  
 E (Back Slope): \_\_\_\_\_  
 F (Hopper Length): \_\_\_\_\_  
 G (Long Slope): \_\_\_\_\_  
 H (Shallow End): \_\_\_\_\_  
 I (Left Side Slope): \_\_\_\_\_  
 J (Hopper Width): \_\_\_\_\_  
 K (Right Side Slope): \_\_\_\_\_  
 L (Roman Radius Width): \_\_\_\_\_  
 M (Roman Radius Length): \_\_\_\_\_  
 N (Rectangle Wall Length): \_\_\_\_\_  
 O (Corner Width): \_\_\_\_\_  
 P (Hopper Straight Length): \_\_\_\_\_

**CORNER TYPE (see page 4)**

Square (90°)  
 Cut (Diagonal) Size: \_\_\_\_\_  
 Radius (Rounded) Size: \_\_\_\_\_



**COMMENTS**

\_\_\_\_\_

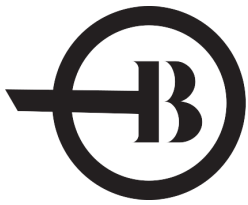
**POOL LOCATION ADDRESS (REQUIRED)**

\_\_\_\_\_

P.O. #: \_\_\_\_\_  
 Signature: \_\_\_\_\_

**VINYL-COVERED STEPS?**  
 Please attach additional measuring forms.

Your signature indicates that you have verified your measurements and that the information you have provided is correct.



# BRANDED MANUFACTURING

B R A N D E D M F G . C O M

## MEASURING FORM - EXTERNAL IN-GROUND VINYL STEPS

COMPANY/NAME: \_\_\_\_\_

ADDRESS: \_\_\_\_\_

CITY: \_\_\_\_\_ STATE: \_\_\_\_\_ ZIP: \_\_\_\_\_

PHONE (Cell): \_\_\_\_\_ PHONE (Work): \_\_\_\_\_

FAX: \_\_\_\_\_ EMAIL: \_\_\_\_\_

**A BACK CORNERS** (follow procedures from Step 4)

Square (90°)

Cut (Diagonal) Size: \_\_\_\_\_

Radius (Rounded) Size: \_\_\_\_\_

**B RECESS CORNERS**

Square (90°)

Cut (Diagonal) Size: \_\_\_\_\_

Radius (Rounded) Size: \_\_\_\_\_

**C STEP LOCATION**

Indicate on the picture where the steps are located with measurements from the squared corners.

**D DEPTH AND WIDTH**

Measure the total width and depth of the stairs. Include the depth of the recess.

Width: \_\_\_ ft \_\_\_ in Depth: \_\_\_ ft \_\_\_ in

**E RISERS AND TREADS**

Measure riser heights and tread depths.

R1: \_\_\_\_\_ T1: \_\_\_\_\_

R2: \_\_\_\_\_ T2: \_\_\_\_\_

R3: \_\_\_\_\_ T3: \_\_\_\_\_

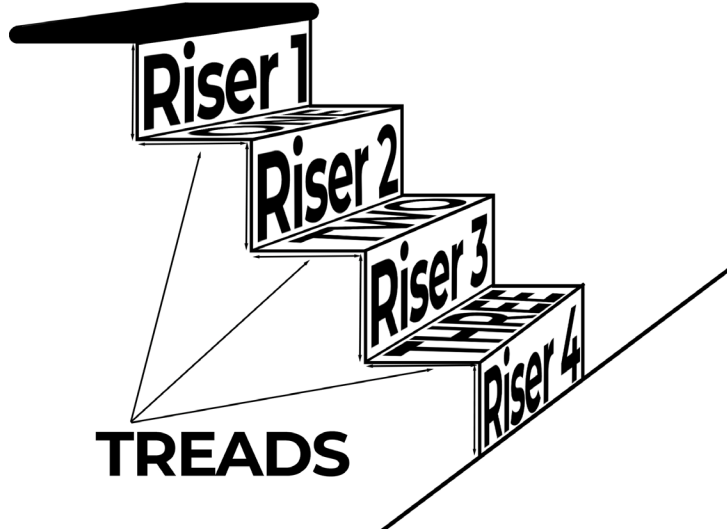
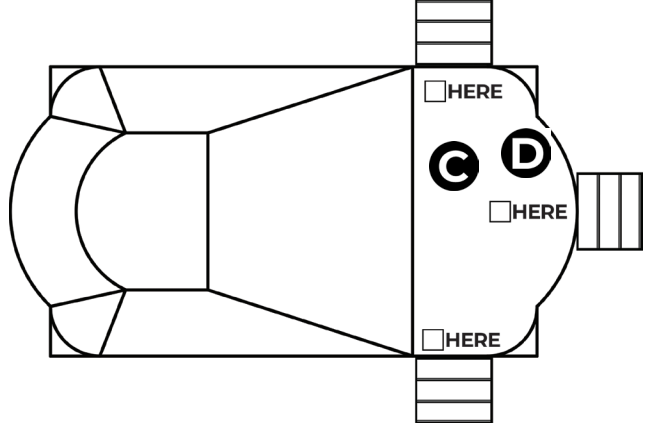
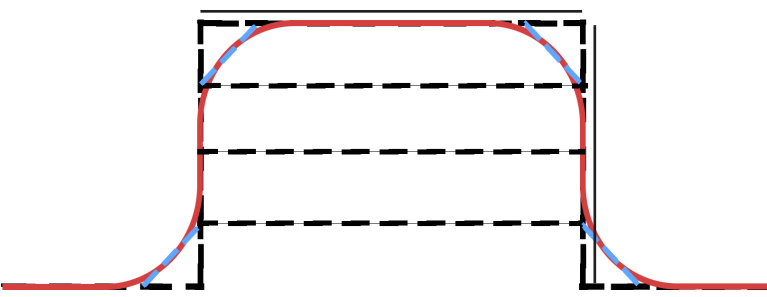
R4: \_\_\_\_\_ T4: \_\_\_\_\_

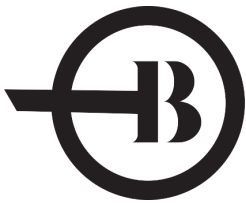
R5: \_\_\_\_\_

**F Do you need rod pockets to secure steps?**

Yes  No

**POOL LOCATION ADDRESS (REQUIRED)**





# BRANDED MANUFACTURING

B R A N D E D M F G . C O M

## MEASURING FORM - INTERNAL IN-GROUND VINYL STEPS

COMPANY/NAME: \_\_\_\_\_

ADDRESS: \_\_\_\_\_

CITY: \_\_\_\_\_ STATE: \_\_\_\_\_ ZIP: \_\_\_\_\_

PHONE (Cell): \_\_\_\_\_ PHONE (Work): \_\_\_\_\_

FAX: \_\_\_\_\_ EMAIL: \_\_\_\_\_

**A STEP STYLE** PLEASE PROVIDE DETAILED MEASUREMENTS!

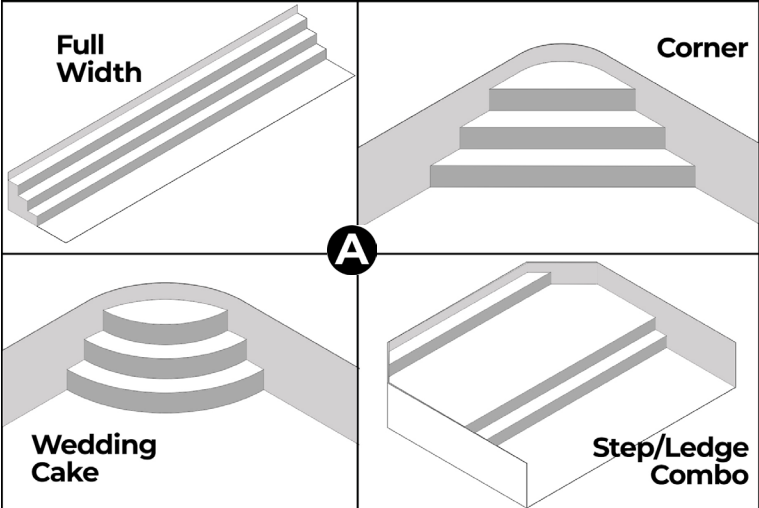
Full Width

Corner

Wedding Cake

Step/Bench Combo

Specialty/Custom/Other



**B** Indicate where the stairs are located.

**C RISERS AND TREADS**  
Measure riser heights and tread depths.

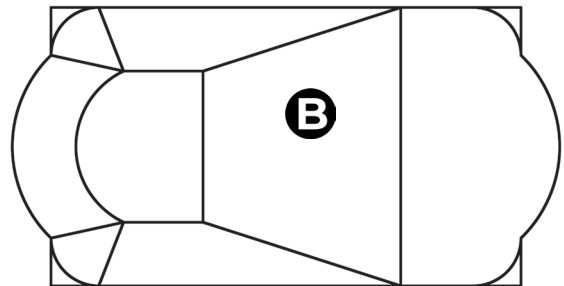
R1: \_\_\_\_\_ T1: \_\_\_\_\_

R2: \_\_\_\_\_ T2: \_\_\_\_\_

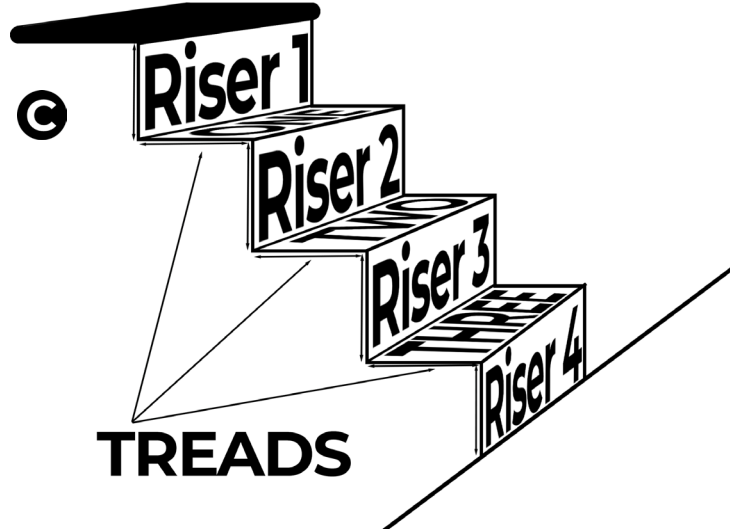
R3: \_\_\_\_\_ T3: \_\_\_\_\_

R4: \_\_\_\_\_ T4: \_\_\_\_\_

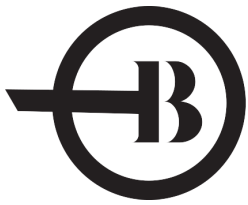
R5: \_\_\_\_\_ T4: \_\_\_\_\_



**D** Please add additional information or comments below.



POOL LOCATION ADDRESS (REQUIRED)



# BRANDED MANUFACTURING

B R A N D E D M F G . C O M

## MEASURING FORM - VINYL-COVERED BENCHES/LEDGES

COMPANY/NAME: \_\_\_\_\_

ADDRESS: \_\_\_\_\_

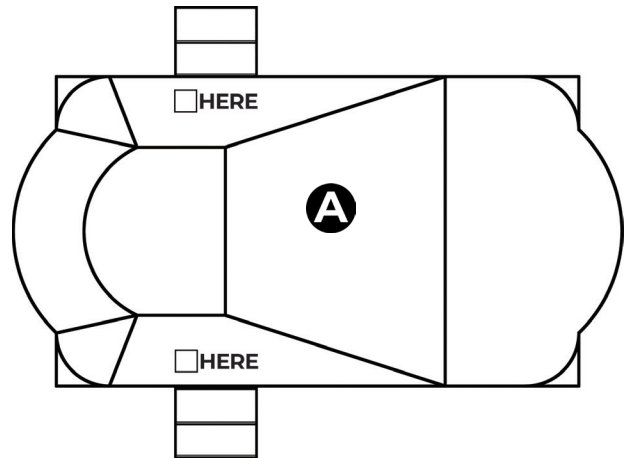
CITY: \_\_\_\_\_ STATE: \_\_\_\_\_ ZIP: \_\_\_\_\_

PHONE (Cell): \_\_\_\_\_ PHONE (Work): \_\_\_\_\_

FAX: \_\_\_\_\_ EMAIL: \_\_\_\_\_

### **A** BENCH LOCATION

Indicate where the bench is located on the drawing. Include measurements from squared corners on both sides.



### **B** RISERS AND TREADS

Measure riser heights and tread depths.

R1: \_\_\_\_\_ T1: \_\_\_\_\_

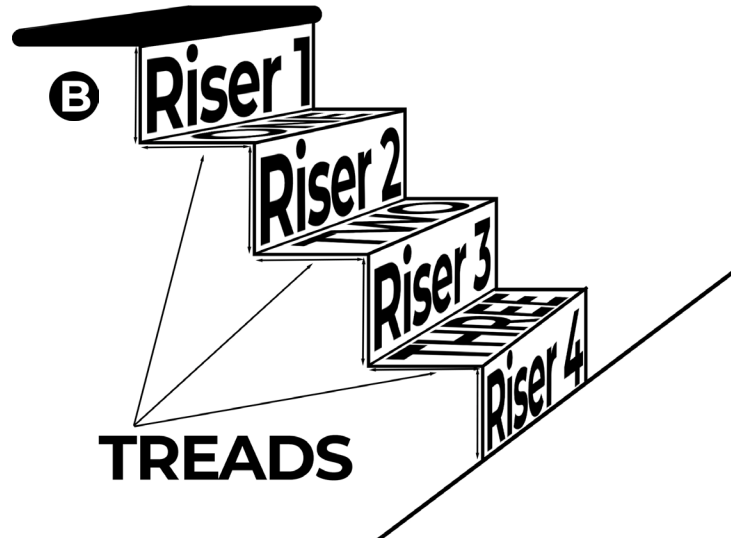
R2: \_\_\_\_\_ T2: \_\_\_\_\_

R3: \_\_\_\_\_ T3: \_\_\_\_\_

R4: \_\_\_\_\_ T4: \_\_\_\_\_

R5: \_\_\_\_\_

**C** Please add additional information (such as corner measurements) or comments below.



POOL LOCATION ADDRESS (REQUIRED)

# ONLY THE BEST GET BRANDED