

# BRANDED MANUFACTURING

B R A N D E D M F G . C O M

## MEASURING FORM - RECTANGLES

COMPANY/NAME: \_\_\_\_\_  
 ADDRESS: \_\_\_\_\_  
 CITY: \_\_\_\_\_ STATE: \_\_\_\_\_ ZIP: \_\_\_\_\_  
 PHONE (Cell): \_\_\_\_\_ PHONE (Work): \_\_\_\_\_  
 FAX: \_\_\_\_\_ EMAIL: \_\_\_\_\_

LINER DESCRIPTION: \_\_\_\_\_  
 PATTERN: \_\_\_\_\_ MIL: \_\_\_\_\_ BEAD TYPE: \_\_\_\_\_

### DIMENSIONS (see page 2-3)

A (Width): \_\_\_\_\_  
 B (Length): \_\_\_\_\_  
 Diagonal #1: \_\_\_\_\_  
 Diagonal #2: \_\_\_\_\_  
 C (Wall Height): \_\_\_\_\_  
 D (Depth): \_\_\_\_\_  
 E (Back Slope): \_\_\_\_\_  
 F (Hopper Length): \_\_\_\_\_  
 G (Long Slope): \_\_\_\_\_  
 H (Shallow End): \_\_\_\_\_  
 I (Left Side Slope\*): \_\_\_\_\_  
 J (Hopper Width): \_\_\_\_\_  
 K (Right Side Slope\*): \_\_\_\_\_

---

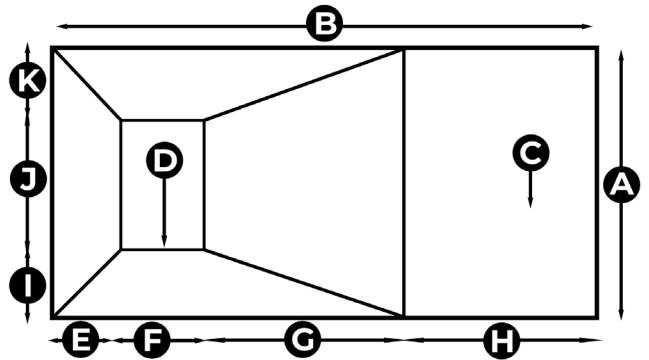
H<sub>1</sub> (Safety Ledge): \_\_\_\_\_

**\*Standing in Shallow End**

### CORNER TYPE (see page 4)

Square (90°)  
 Cut (Diagonal) Size: \_\_\_\_\_  
 Radius (Rounded) Size: \_\_\_\_\_

### INDICATE WALL SEAM LOCATION AND/OR LOCATION OF STEPS



### COMMENTS

### POOL LOCATION ADDRESS (REQUIRED)

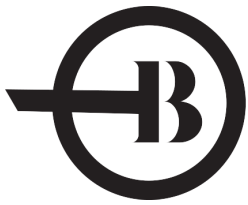
P.O. #: \_\_\_\_\_

Signature: \_\_\_\_\_

Your signature indicates that you have verified your measurements and that the information you have provided is correct.

VINYL-COVERED STEPS?

Please attach additional measuring forms.



# BRANDED MANUFACTURING

B R A N D E D M F G . C O M

## MEASURING FORM - EXTERNAL IN-GROUND VINYL STEPS

COMPANY/NAME: \_\_\_\_\_  
 ADDRESS: \_\_\_\_\_  
 CITY: \_\_\_\_\_ STATE: \_\_\_\_\_ ZIP: \_\_\_\_\_  
 PHONE (Cell): \_\_\_\_\_ PHONE (Work): \_\_\_\_\_  
 FAX: \_\_\_\_\_ EMAIL: \_\_\_\_\_

**A BACK CORNERS** (follow procedures from Step 4)  
 Square (90°)  
 Cut (Diagonal) Size: \_\_\_\_\_  
 Radius (Rounded) Size: \_\_\_\_\_

**POOL LOCATION ADDRESS (REQUIRED)**

**B RECESS CORNERS**  
 Square (90°)  
 Cut (Diagonal) Size: \_\_\_\_\_  
 Radius (Rounded) Size: \_\_\_\_\_

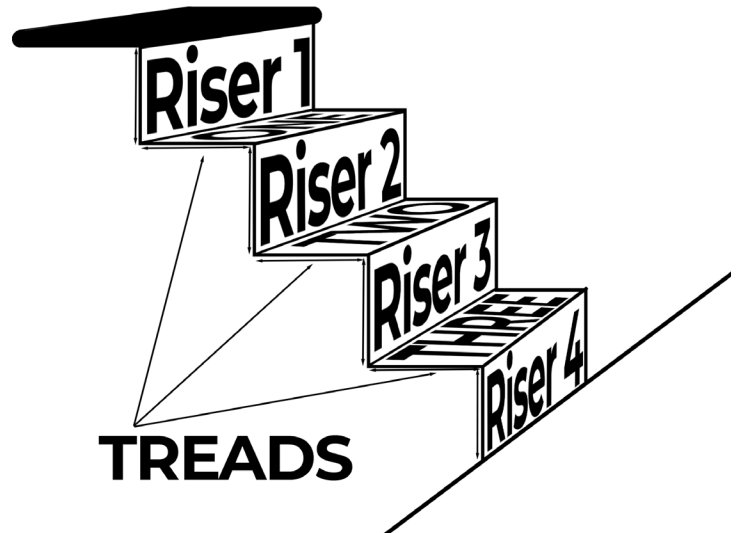
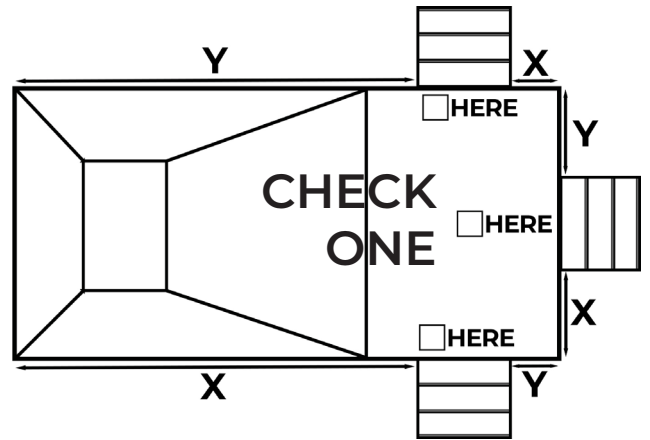
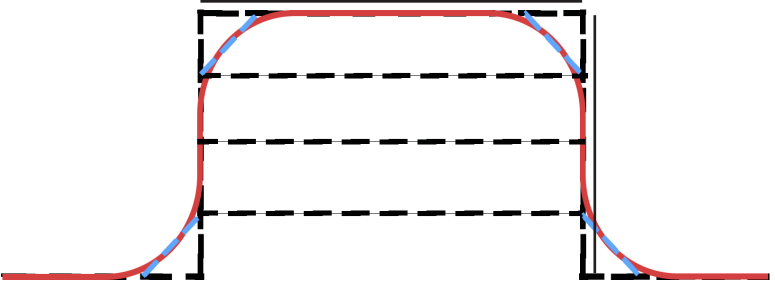
**C STEP LOCATION**  
 Measure X and Y from the squared corners.  
**CHECK THE LOCATION BOX to the right.**  
 X: \_\_\_\_\_ ft \_\_\_\_\_ in Y: \_\_\_\_\_ ft \_\_\_\_\_ in

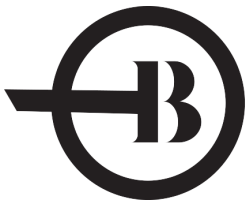
**D DEPTH AND WIDTH**  
 Measure the total width and depth of the stairs. Include the depth of the recess.  
 Width: \_\_\_\_\_ ft \_\_\_\_\_ in Depth: \_\_\_\_\_ ft \_\_\_\_\_ in

**E RISERS AND TREADS**  
 Measure riser heights and tread depths.

R1: \_\_\_\_\_ T1: \_\_\_\_\_  
 R2: \_\_\_\_\_ T2: \_\_\_\_\_  
 R3: \_\_\_\_\_ T3: \_\_\_\_\_  
 R4: \_\_\_\_\_ T4: \_\_\_\_\_  
 R5: \_\_\_\_\_

**F Do you need rod pockets to secure steps?**  
 Yes  No





# BRANDED MANUFACTURING

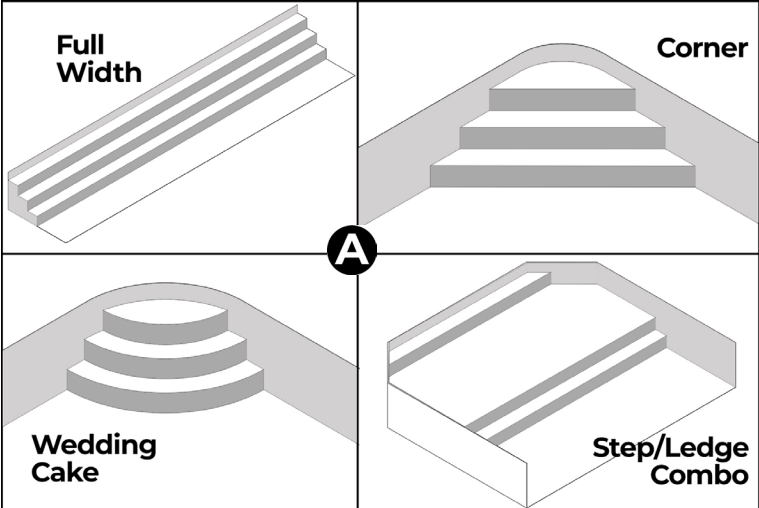
B R A N D E D M F G . C O M

## MEASURING FORM - INTERNAL IN-GROUND VINYL STEPS

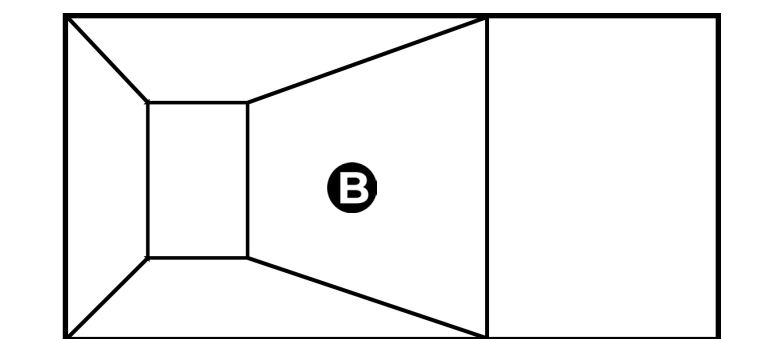
COMPANY/NAME: \_\_\_\_\_  
 ADDRESS: \_\_\_\_\_  
 CITY: \_\_\_\_\_ STATE: \_\_\_\_\_ ZIP: \_\_\_\_\_  
 PHONE (Cell): \_\_\_\_\_ PHONE (Work): \_\_\_\_\_  
 FAX: \_\_\_\_\_ EMAIL: \_\_\_\_\_

**A STEP STYLE** PLEASE PROVIDE DETAILED MEASUREMENTS!

Full Width  
 Corner  
 Wedding Cake  
 Step/Bench Combo  
 Specialty/Custom/Other



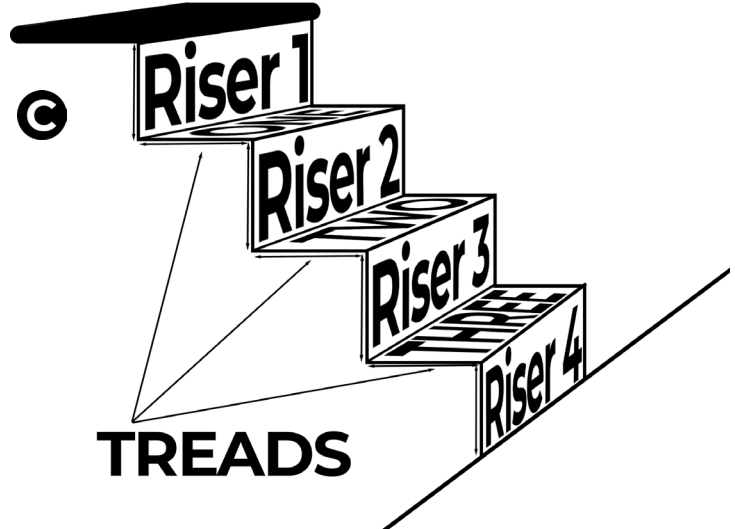
**B Indicate where the stairs are located.**



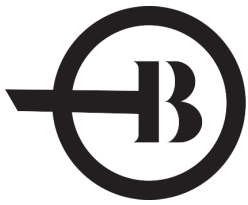
**C RISERS AND TREADS**  
 Measure riser heights and tread depths.

R1: \_\_\_\_\_ T1: \_\_\_\_\_  
 R2: \_\_\_\_\_ T2: \_\_\_\_\_  
 R3: \_\_\_\_\_ T3: \_\_\_\_\_  
 R4: \_\_\_\_\_ T4: \_\_\_\_\_  
 R5: \_\_\_\_\_

**D Please add additional information or comments below.**



POOL LOCATION ADDRESS (REQUIRED)



# BRANDED MANUFACTURING

B R A N D E D M F G . C O M

## MEASURING FORM - VINYL-COVERED BENCHES/LEDGES

COMPANY/NAME: \_\_\_\_\_

ADDRESS: \_\_\_\_\_

CITY: \_\_\_\_\_ STATE: \_\_\_\_\_ ZIP: \_\_\_\_\_

PHONE (Cell): \_\_\_\_\_ PHONE (Work): \_\_\_\_\_

FAX: \_\_\_\_\_ EMAIL: \_\_\_\_\_

**A** Measure X and Y from the squared corners. CHECK THE LOCATION BOX to the right.

X: \_\_\_\_\_ ft \_\_\_\_\_ in    Y: \_\_\_\_\_ ft \_\_\_\_\_ in

**B** RISERS AND TREADS

Measure riser heights and tread depths.

R1: \_\_\_\_\_ T1: \_\_\_\_\_

R2: \_\_\_\_\_ T2: \_\_\_\_\_

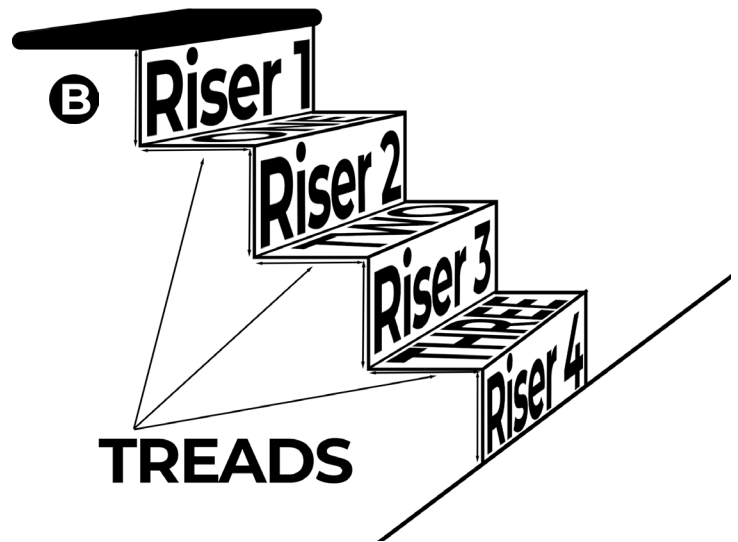
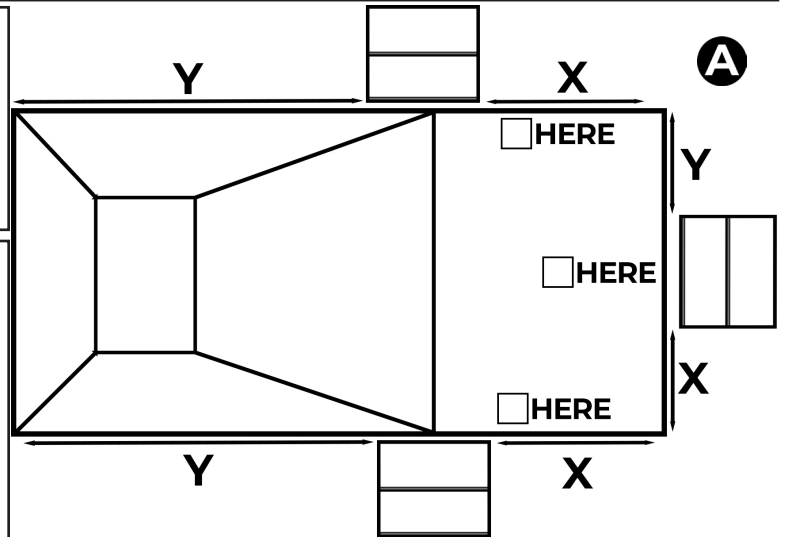
R3: \_\_\_\_\_ T3: \_\_\_\_\_

R4: \_\_\_\_\_ T4: \_\_\_\_\_

R5: \_\_\_\_\_

**C** Please add additional information (such as corner measurements) or comments below.

POOL LOCATION ADDRESS (REQUIRED)



**ONLY THE BEST GET BRANDED**