

True-L Right Order Form

Date: _____ Due: _____

DEALER

Company: _____

Address: _____

CITY _____ STATE _____ ZIP _____

Contact: _____ Phone: _____

E-Mail: _____

DISTRIBUTOR

Company: _____

Address: _____

CITY _____ STATE _____ ZIP _____

Contact: _____ Phone: _____

E-Mail: _____

SHIPPING INSTRUCTIONS

Branch: Dealer: Pick Up:

Ship Via: _____

Other: _____

ORDER INFORMATION

PO #: _____

Job Name: _____

Price: _____

Barcode: _____

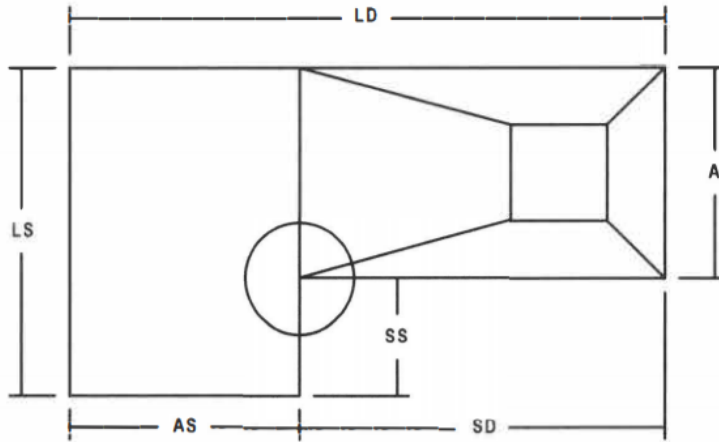
Wall Pattern: _____

Floor Pattern: _____

MOUNTING

Beaded: Overlap: Overlap Size: _____ INCHES

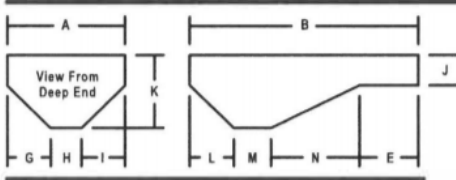
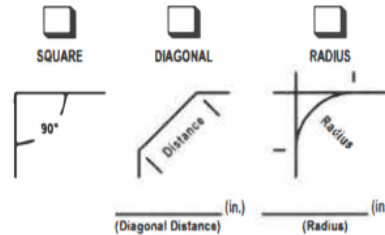
COMMENTS



INSIDE CORNER

- 90°
- DIAGONAL _____ (in.)
- RADIUS _____ (in.)

CORNER TYPE



SAFETY LEDGE

_____ (in.)

COVE

Wall _____ (in.)
Depth _____ (in.)
Length _____ (in.)

MEASUREMENTS

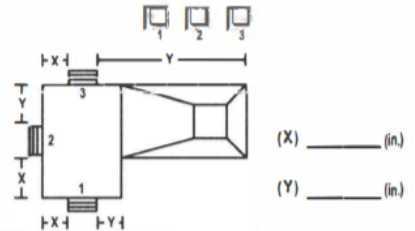
- (A): _____ (ft.) _____ (in.) (L): _____ (ft.) _____ (in.)
- (B): _____ (ft.) _____ (in.) (M): _____ (ft.) _____ (in.)
- (E): _____ (ft.) _____ (in.) (N): _____ (ft.) _____ (in.)
- (G): _____ (ft.) _____ (in.) (AS): _____ (ft.) _____ (in.)
- (H): _____ (ft.) _____ (in.) (LD): _____ (ft.) _____ (in.)
- (I): _____ (ft.) _____ (in.) (LS): _____ (ft.) _____ (in.)
- (J): _____ (ft.) _____ (in.) (SD): _____ (ft.) _____ (in.)
- (K): _____ (ft.) _____ (in.) (SS): _____ (ft.) _____ (in.)

POOL MANUFACTURER, IF KNOWN:

DO NOT INCLUDE STEPS ACROSS THE WIDTH OF THE POOL IN THE OVERALL LENGTH 'B' MEASUREMENT

STEP DETAILS

INDICATE POSITION OF VINYL STEP IF APPLICABLE



IS STEP INSIDE POOL PERIMETER?
 YES NO

VINYL STEP

ROD POCKETS YES NO
BEADED STEP YES NO

FOAM

YES NO

Set Back

INCHES

45° 90°

Step Corners

6" RADIUS 90°

THICKNESS (in.)

FLOOR

Self Check

- G+H+=A?
- E+L+M+N=B?
- STEP RISERS=J?